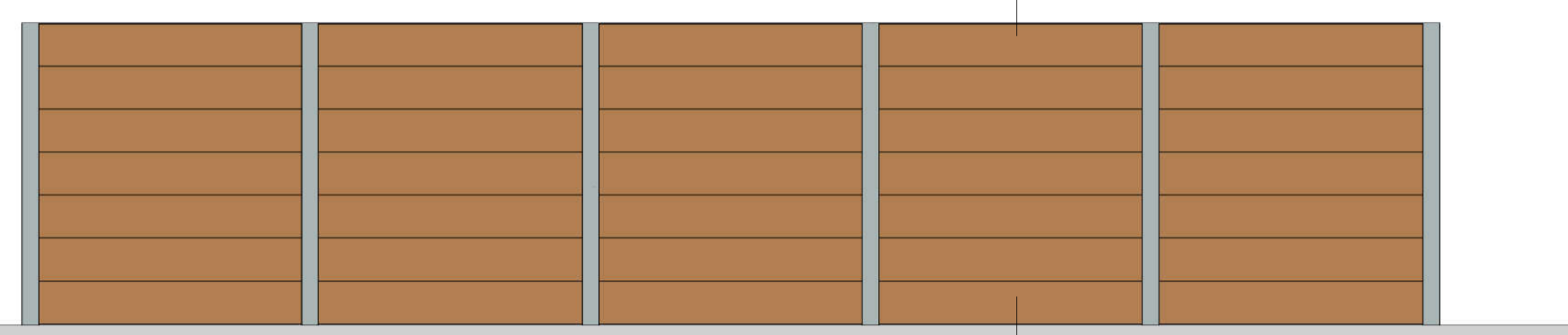
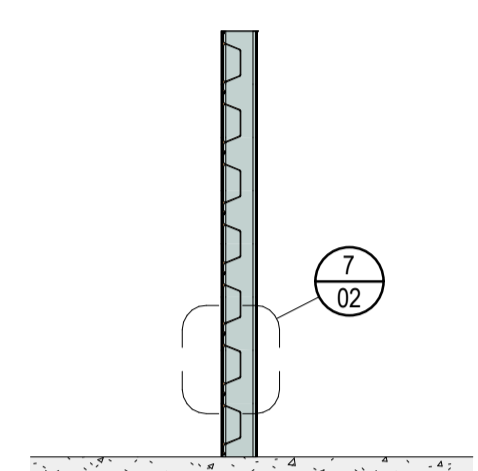


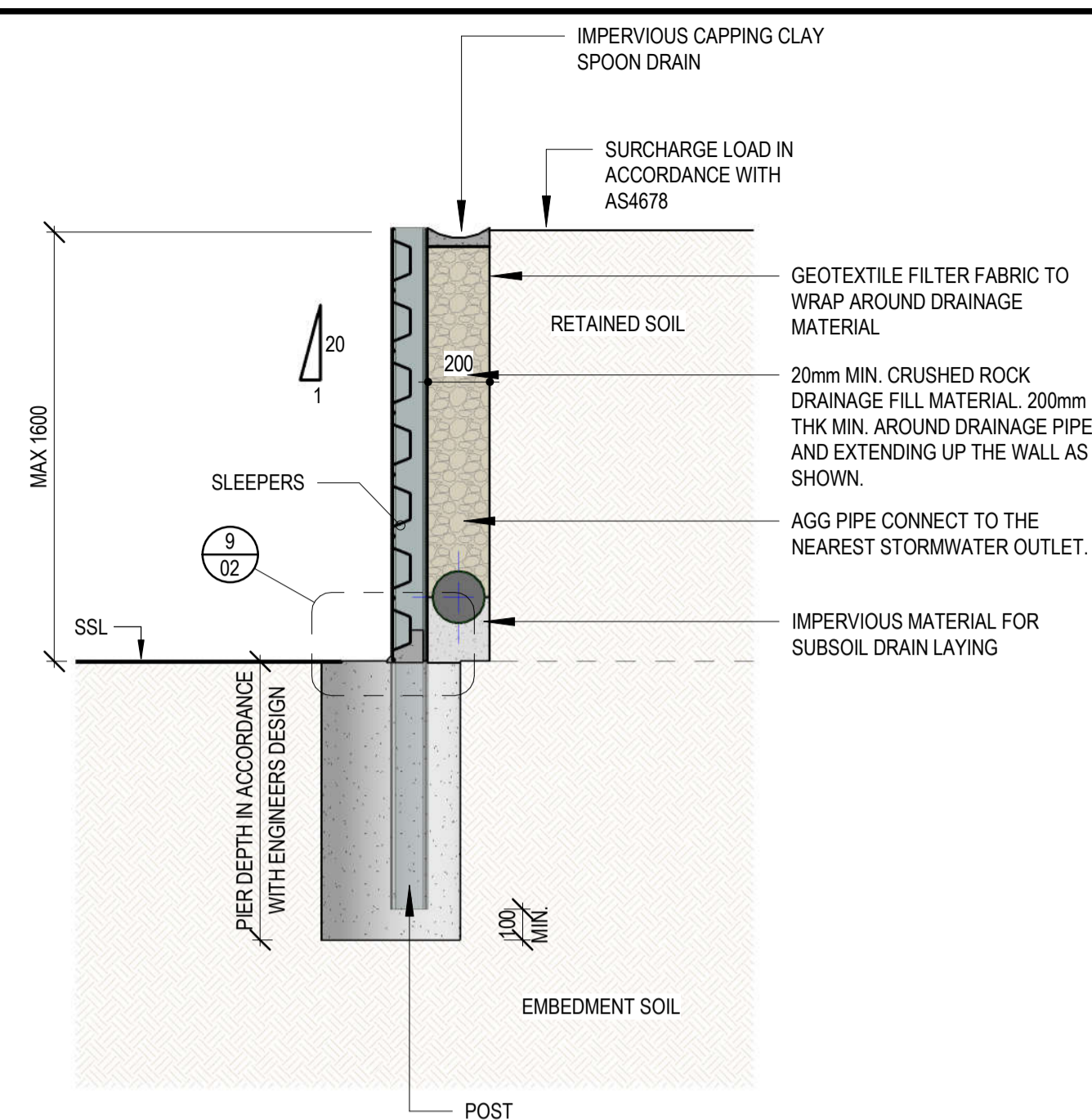
1 FLOOR PLAN
(A1) 1:25



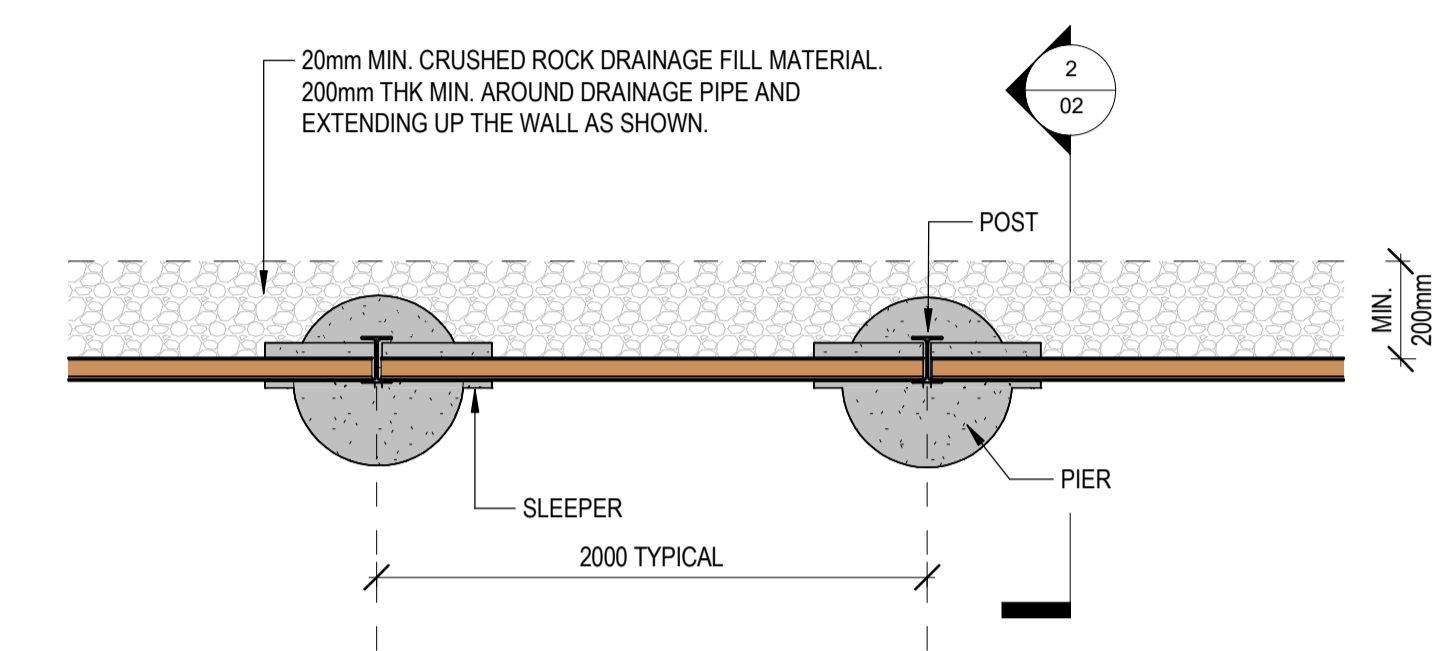
A ELEVATION
(A1) 1:25



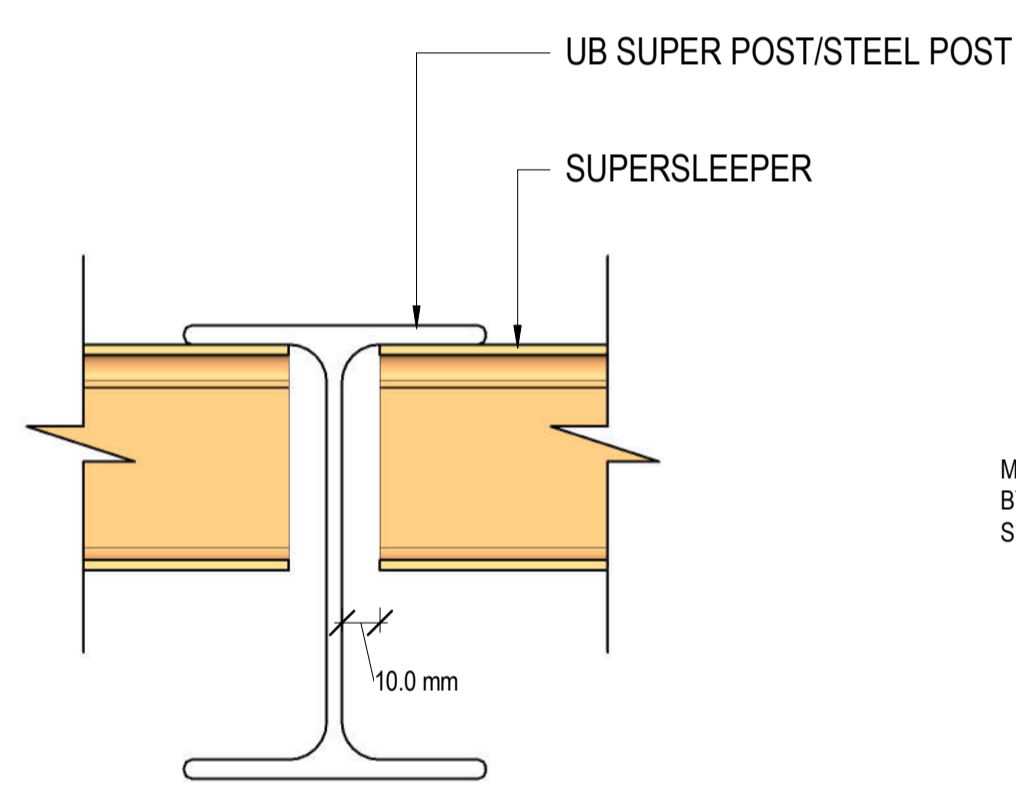
B SEC-B
(A1) 1:25



2 SECTION B
(A1) 1:20



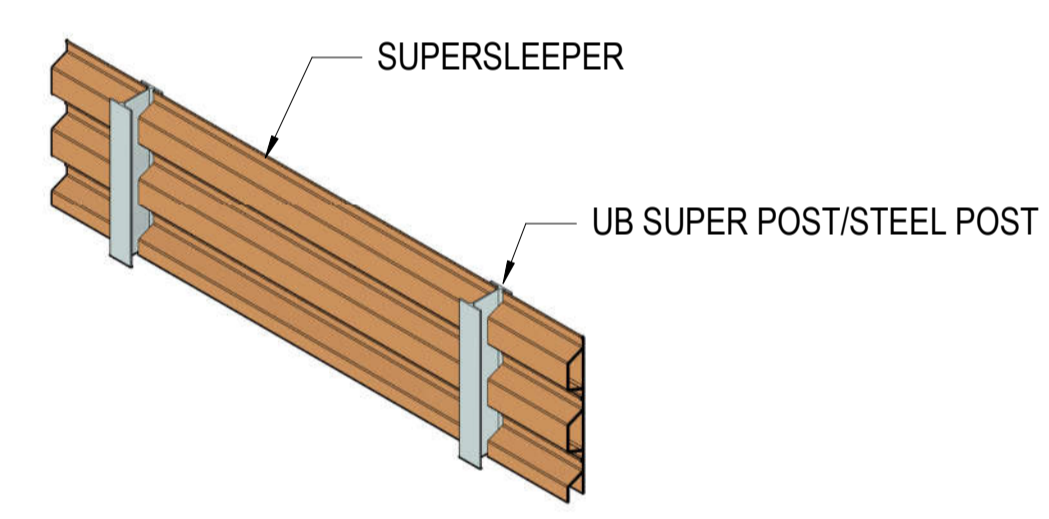
3 FLOOR PLAN DETAIL
(A1) 1:20



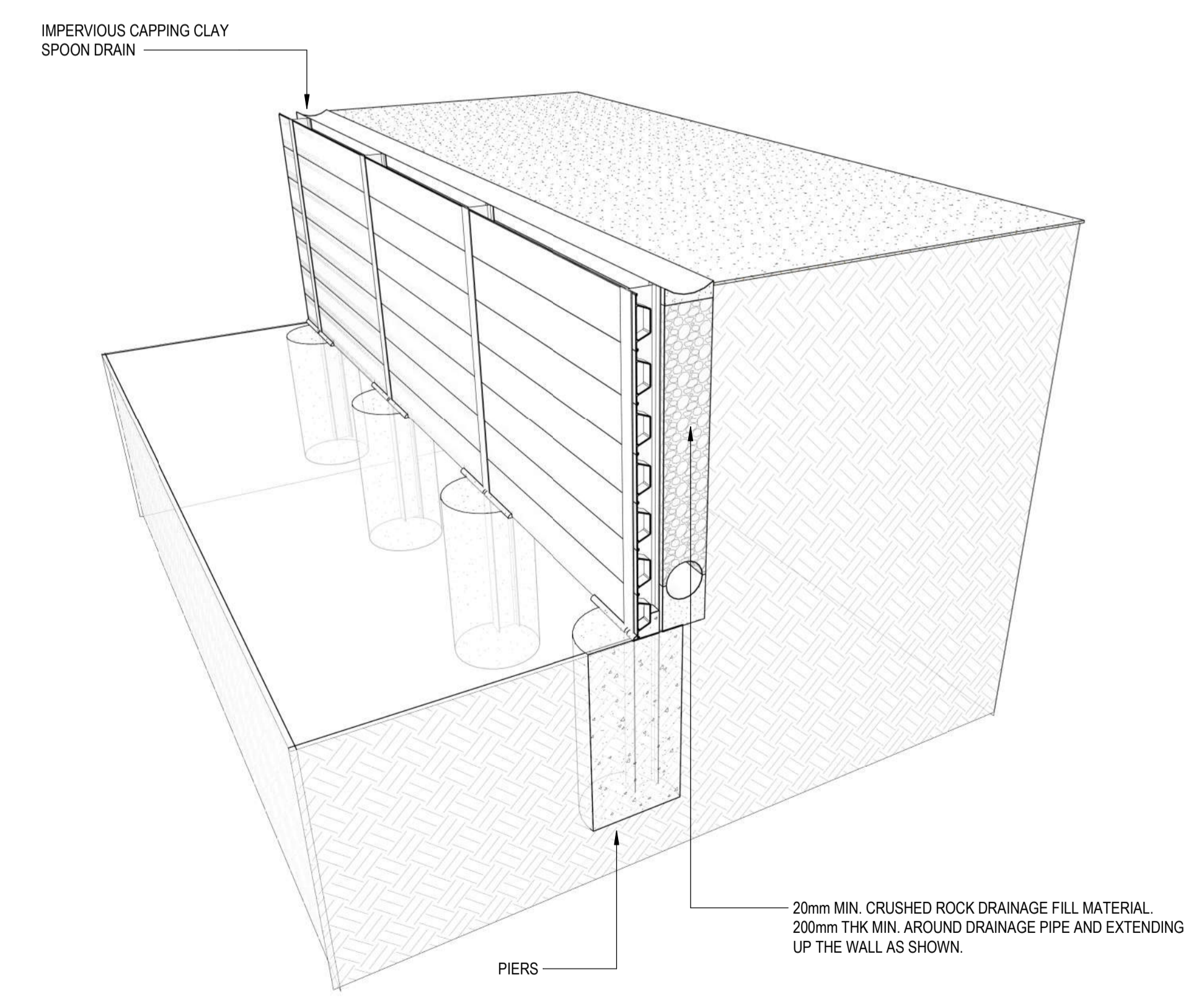
4 POST DETAIL
(A1) 1:2



5 BASE FIXING DETAIL
(A1) 1:20

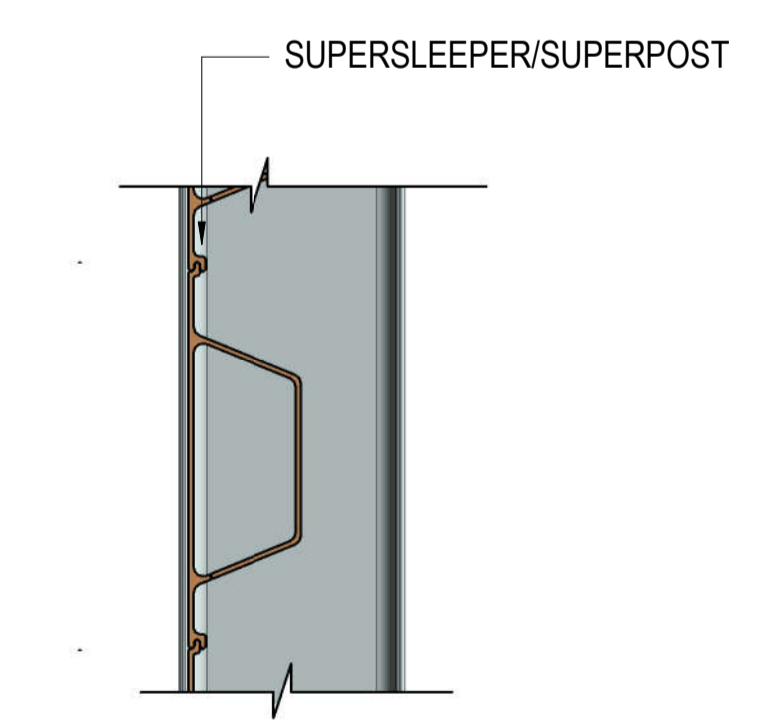


6 3D DETAIL 1
(A1)

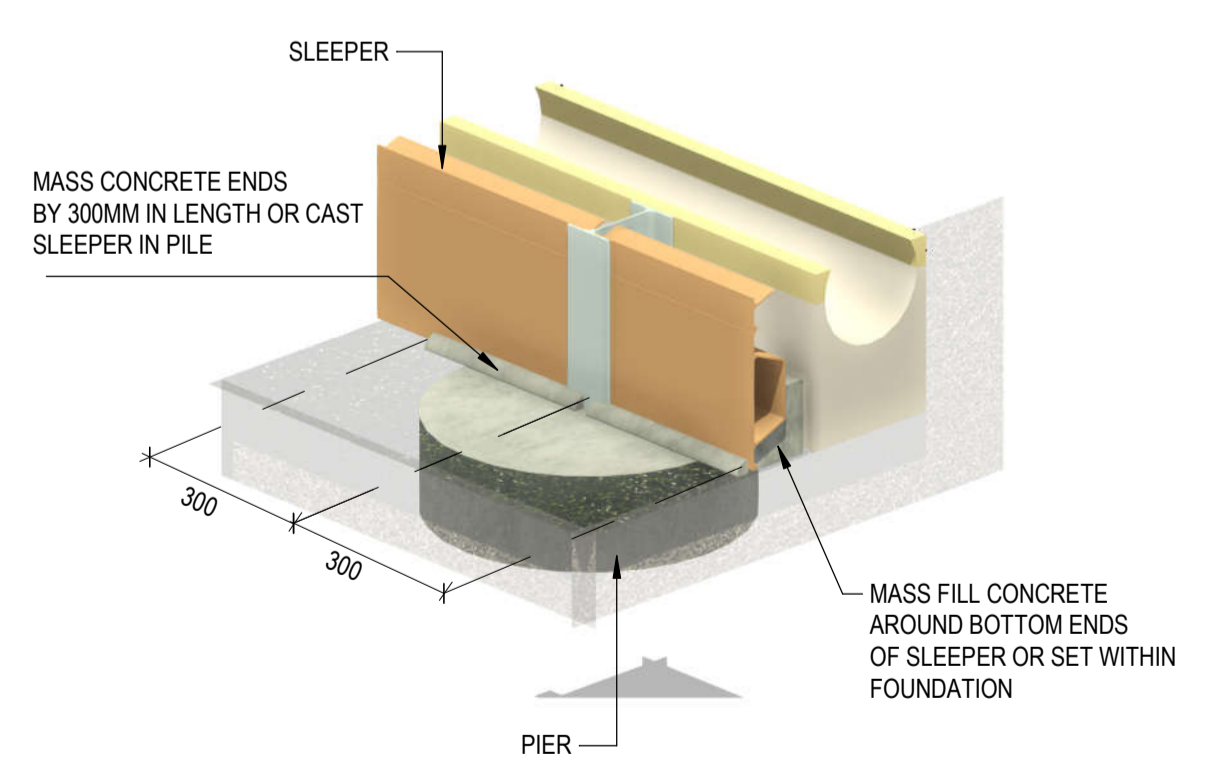


10 3D SECTION
(A1)

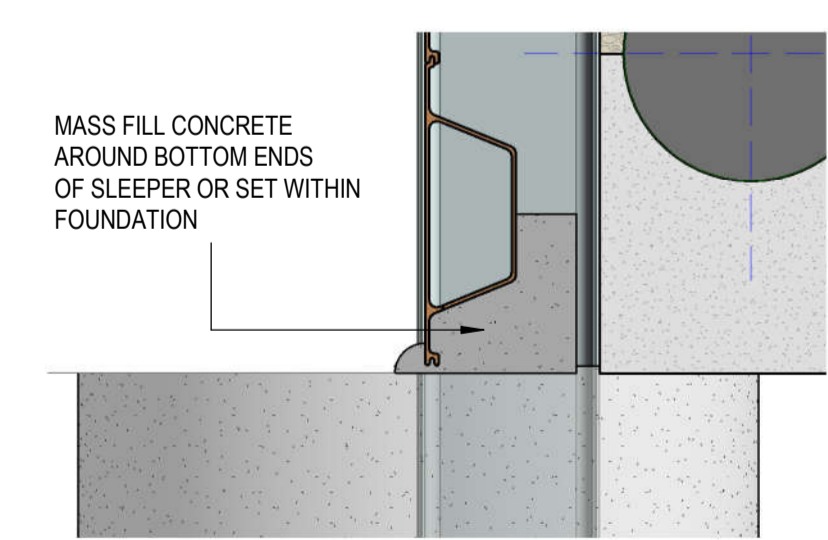
EXTREMELY IMPORTANT NOTE TO INSTALLER IF IN DOUBT ASK!



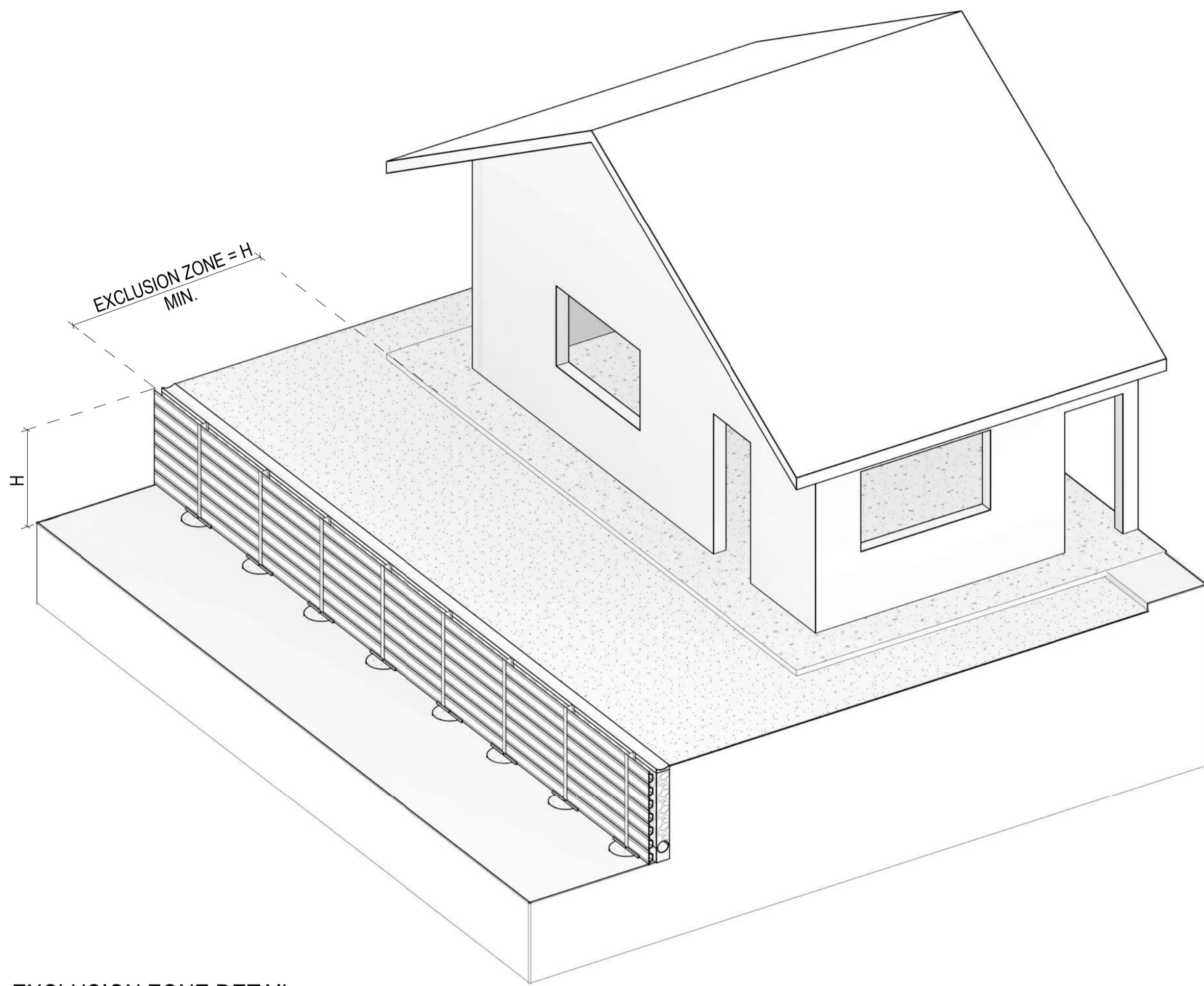
7 SLEEPER DETAIL
(A1) 1:4



8 BASE FIXING 3D DETAIL
(A1)



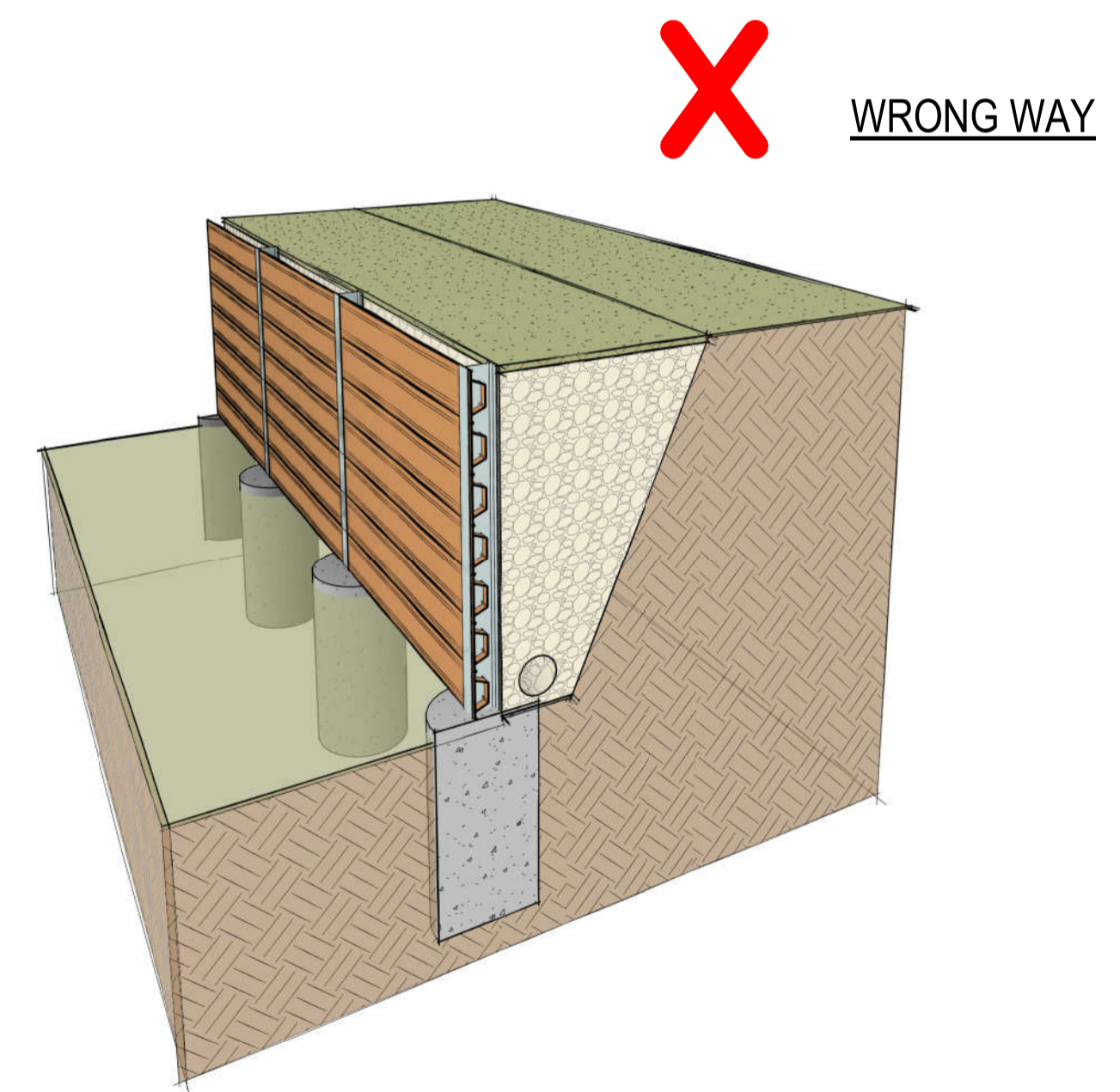
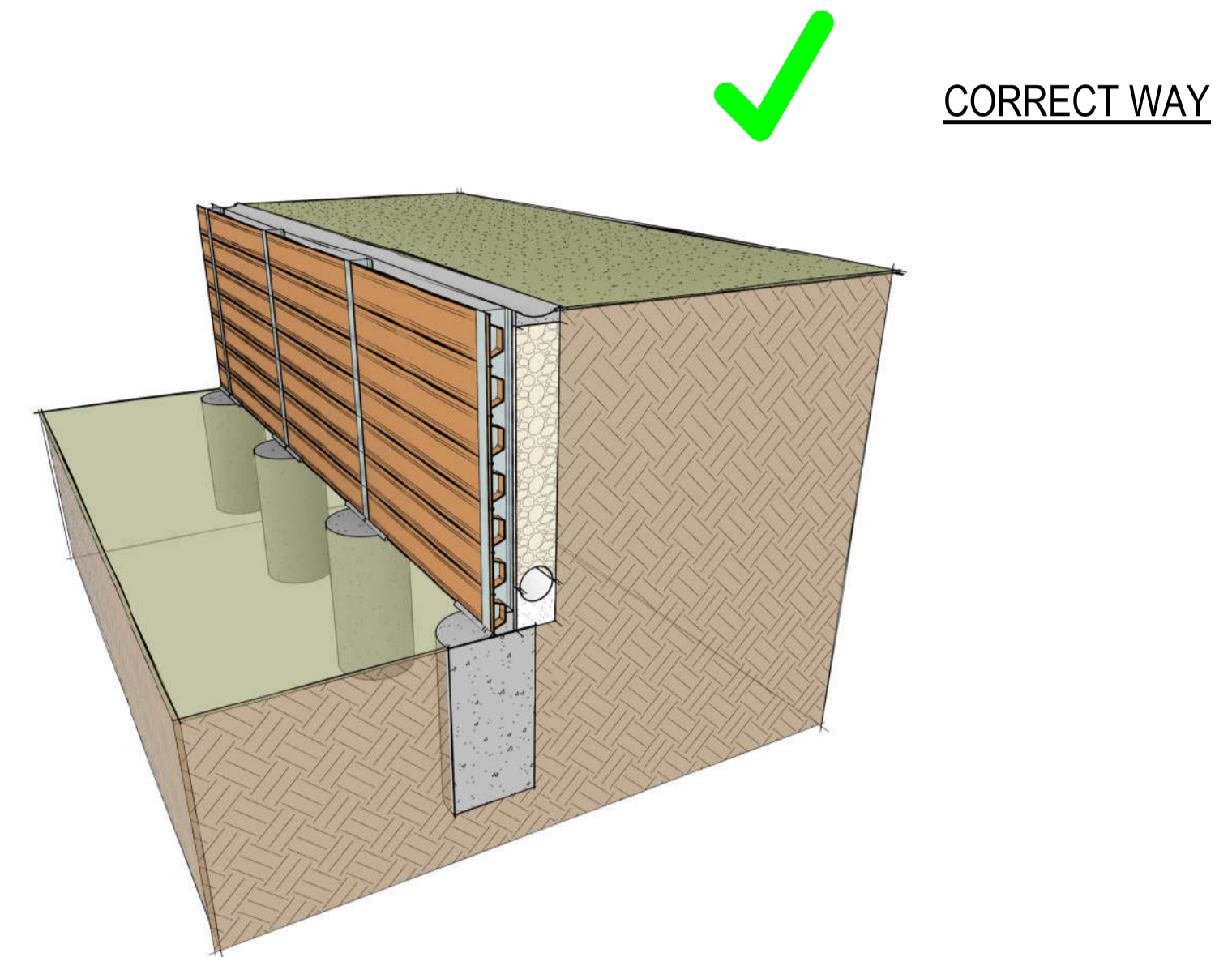
9 BASE FIXING DETAIL
(A1) 1:5



EXCLUSION ZONE DETAIL

SCALE:

FREE DRAINING GRAVEL SETOUT



DRAWING TITLE

ASSEMBLY CRITERIA AND RESTRICTIONS